

**A** Trace, write, and say.



**B** Circle the pictures beginning with the a sound.

1.



2.



3.



4.



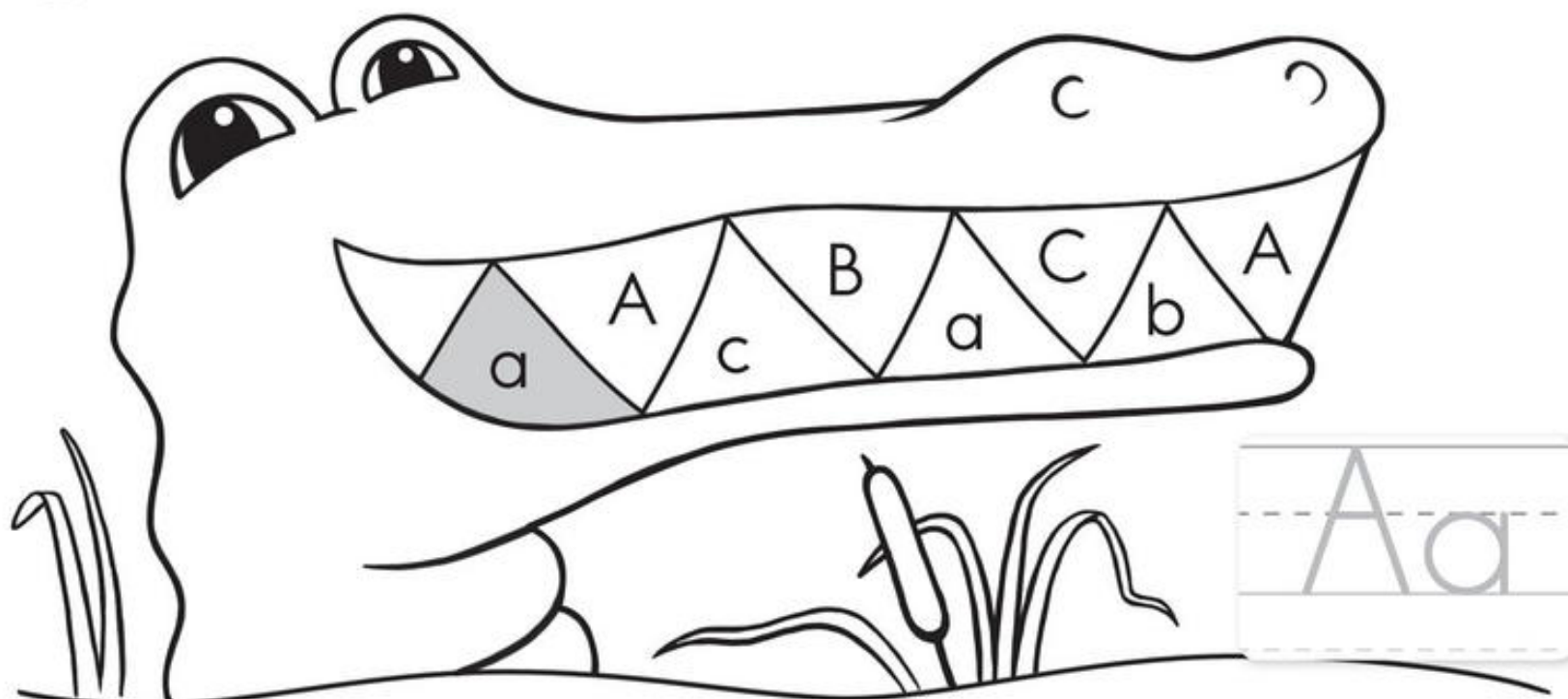
5.



6.




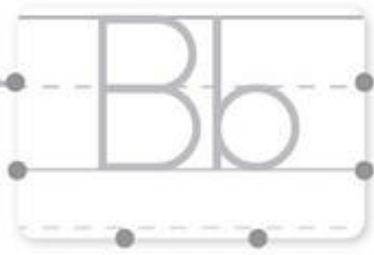

**C** Color A and a. Write Aa.







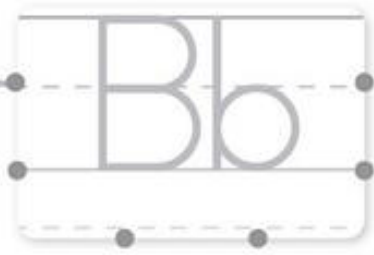
**A** Trace, write, and say.





**B** Write Bb. Then match.


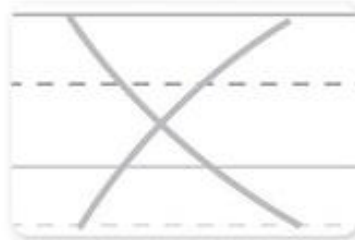
1.   

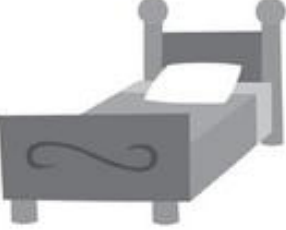

2.   



3.  

**C** Say. Then write Bb or cross it out.

1.  

2.  

3.  

4.  



**A** Trace, write, and say.

**B** Circle the pictures beginning with the c sound.

1.



2.



3.



4.



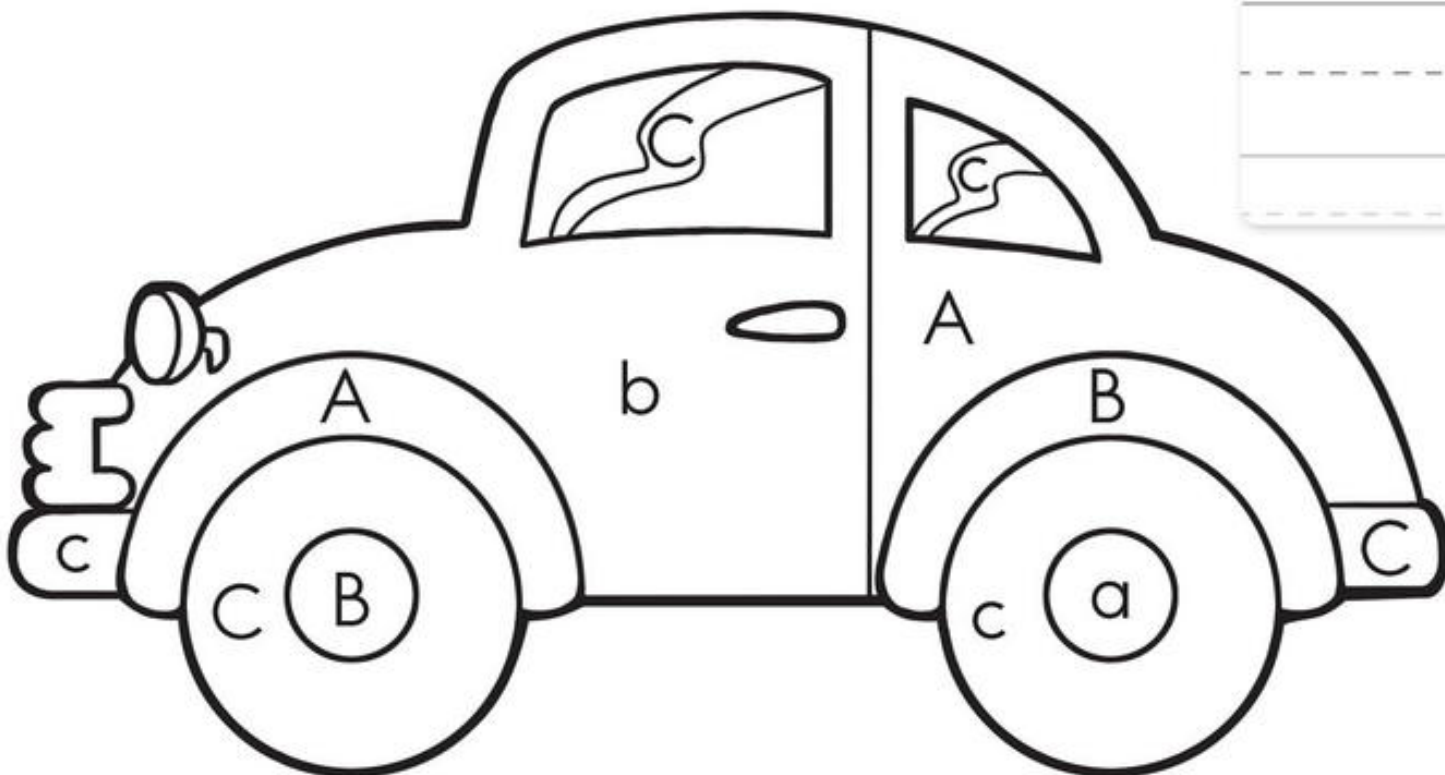
5.



6.












**C** Color C and c. Write Cc.

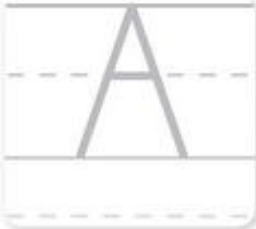

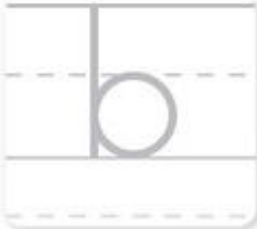



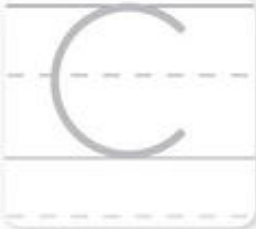

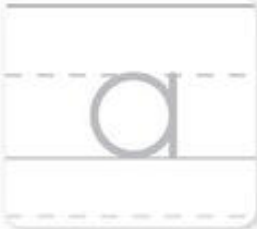





**A** Say. Then circle the beginning sound.

1.  a b c	2.  a b c	3.  a b c
4.  a b c	5.  a b c	6.  a b c
7.  a b c	8.  a b c	9.  a b c

**B** Trace and match.

1. 		
2. 		
3. 		

Connections: A line connects the 'A' box to the 'a' box. A line connects the 'B' box to the 'b' box. A line connects the 'C' box to the 'c' box.

